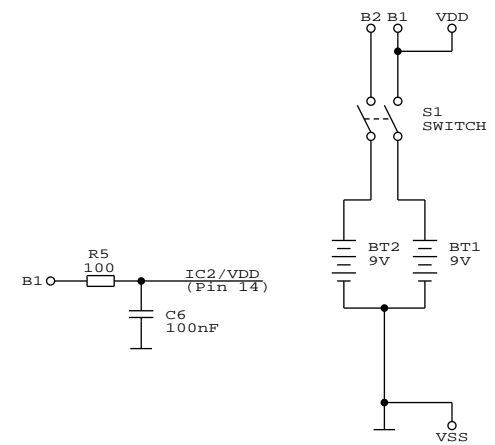
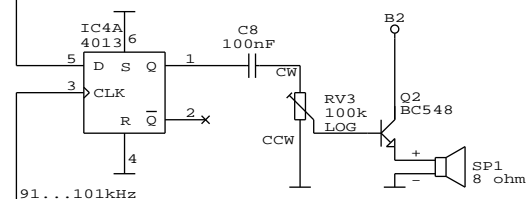
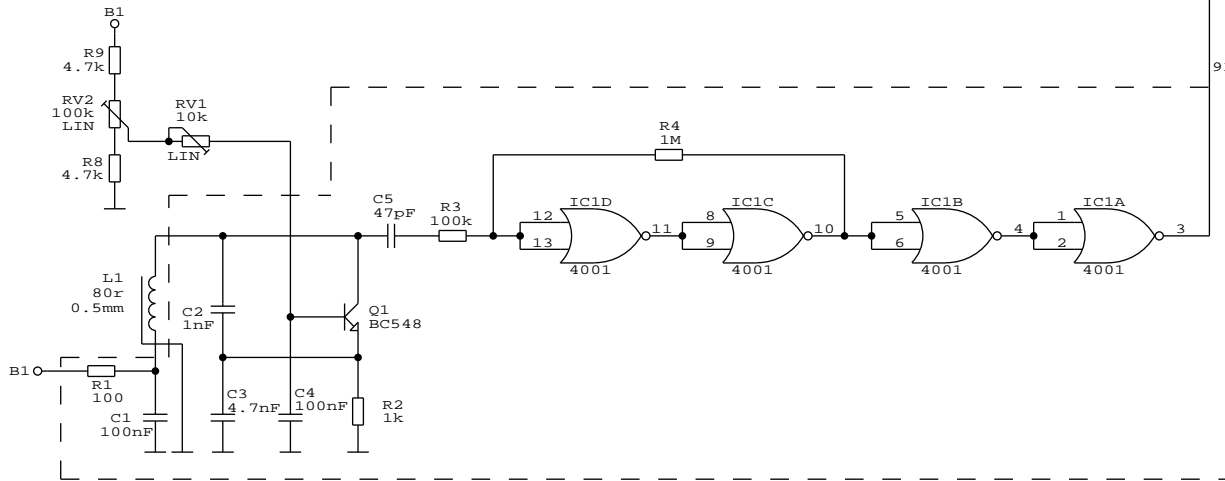
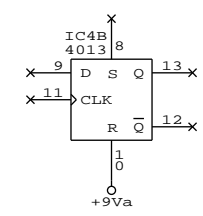


819.7kHz

91...101kHz



UNUSED



Simple, Sensitive Metal Detector
 Phil Wait
 Electronics Today International
 Project 561
 March 1980
 pp. 30-35

Pekka Ala-Mayry		
pam(at)iki.fi		
Title METAL DETECTOR		
Size	Document Number	REV
A4	ETI Project 561	A
Date:	December 14, 2004	Sheet 1 of 1