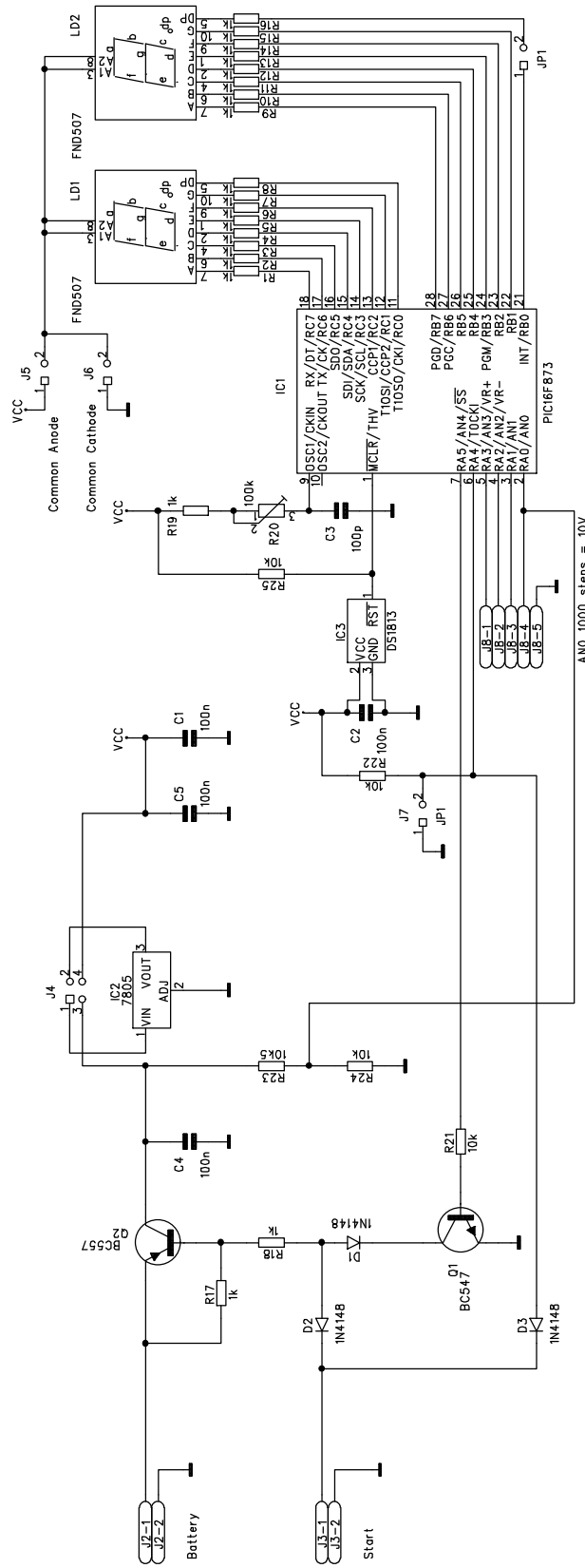


Battery select  
 3.5 - 6V connect J4 3-4  
 7 - 12V connect J4 1-3 and 2-4



- H04 HOLE
- H03 HOLE
- H02 HOLE
- H01 HOLE

Juuson ja Maken

Design By: jokke

LOTTOKONE 02

DRAWING No.

Rev. B

Page 1

21.05.2002

Si-TECNO OY  
JNI

Drawn

Appr.